

Mounted "AB*" Air Handlers
Patent Product

Optional Features:

- Constant Torque Motors
- TXV, R-22, R-410a, A/C, HP, 1-3 Tons
- Factory Installed Electric Heat
- Chilled Water Coil
- Electrical Disconnect

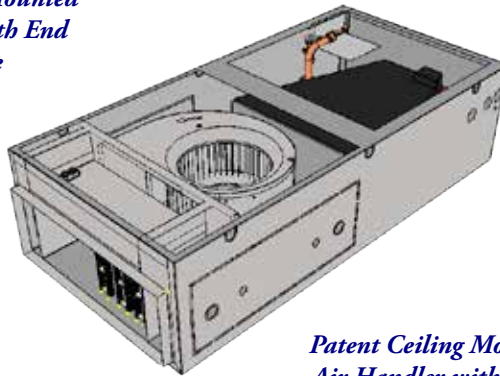
Access Panels

- White Powder Coat
- Hinged with White Poly Trim Screws
- Louvered, Holds One 20" x 20" x 1" Filter, Not Included
- Solid with Hinged Panel

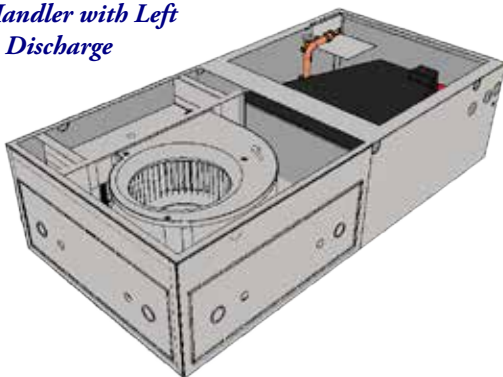
Features:

- Designed for installation in a furred down or dropped ceiling area with end or triple discharge
- Cooling Only, Cooling and Electric Heating, or Heat Pump with Electric back up
- Optional factory installed Electric Heat of either 3, 5, 6, 8, or 10 kW
- Orifice Refrigerant metering is standard with Thermal Expansion Valves optional
- Orifice Metering Device
- 3 Speed Motor
- Polymer Drain Pan
- R-22 or R-410a Compatible
- A/C or HP Compatible
- Fan Control, Time Delay Board
- Pre-Punched Side Mounting Tabs
- Aluminum or Rifled Tube Copper
- Insulated, Embossed Metal Cabinet
- Aluminum Fins and End Plates on All Coils
- Coils Pressure Tested to 500 PSI in Immersion Bath
- Innovative Drain Pan Design Prevents Water Ponding
- Built in P-Trap
- Fully insulated embossed, galvanized steel cabinets

**Patent Ceiling Mounted
Air Handler with End
Discharge**



**Patent Ceiling Mounted
Air Handler with Left
Discharge**



**Patent Ceiling Mounted
Air Handler with Right
Discharge**

